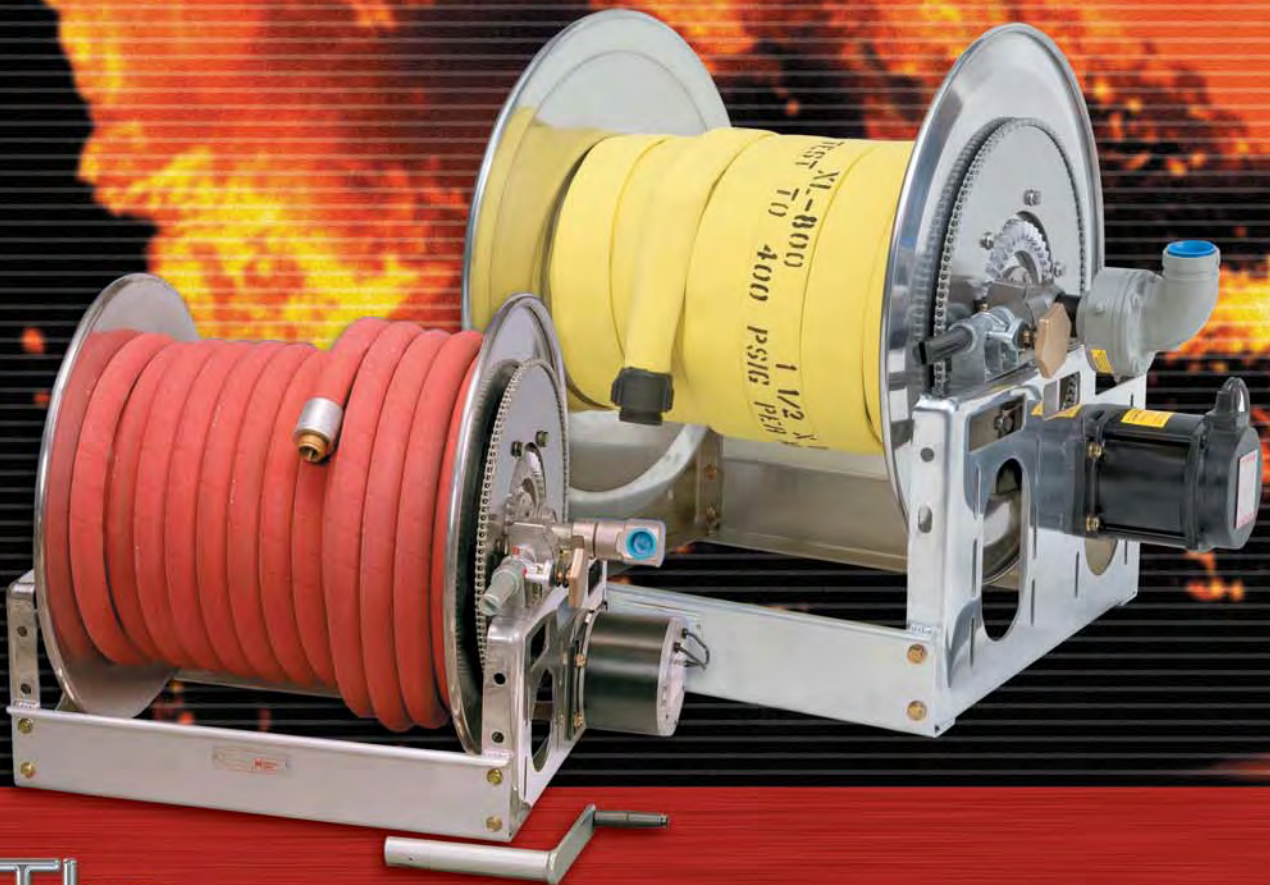


FAMILY OWNED AND OPERATED SINCE 1933



Hannay Reels®
The reel leader.

Firefighting Reels



The
Hannay
Way

Preconnect or Storage • No Draining, Stacking or Dragging
All Sizes and Capacities • Efficient Use of Vehicle Space
Increased Hose Capacity • Faster Clean-up

www.hannay.com

Pride in workmanship • Reels built to order • Consistent quality • Service with integrity • Value for your dollar

INTRODUCTION



There when you need them...Hannay Reels.



Pumper with six reel units—1" booster hose to 4" LD collapsible hose.

FIREFIGHTERS AROUND THE WORLD DEPEND ON HANNAY REELS.

For decades, Hannay Reels has set the standard of quality and reliability for hose reels in the firefighting industry.

In supplying both apparatus manufacturers and after-market fire departments worldwide, Hannay has consistently serviced the needs of the industry. With Hannay Reels, there's no draining, stacking, or dragging. Plus, firefighters appreciate quick attack and fast pick-up.

Through research and development of internationally recognized standard models, to custom one-of-a-kind applications, Hannay continues to meet the specific needs of the vehicle or fire department.

Our firefighting reels come in all sizes and capacities and make efficient use of vehicle space. Numerous options and configurations are readily available to meet your needs.

Attention Truck Committees and Specifiers of Fire Apparatus

Products shown and described in this catalog are suggested models for broad use applications throughout the firefighting industry.

All our components are designed for multiple configurations to fit all your applications and space requirements. Therefore, all Hannay reel models can be assembled to dimensionally fit your specific needs.

For special requirements, contact your Hannay dealer or call our inside sales group.

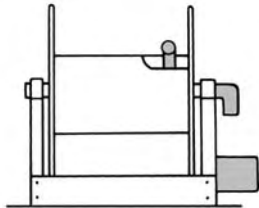
To order any Hannay Reel in this brochure, use the specifications listed here in conjunction with our Ordering & Accessory Guide.

SPECIFYING HANNAY REELS

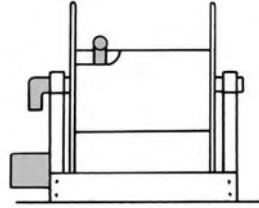
LOCATION OF COMPONENTS

Optional Location of Components:

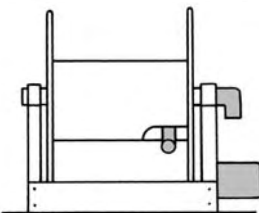
Location of the inlet, outlet riser and rewind mechanism can be varied to meet your requirements and must be specified on your order. The drawings below show the component locations. Unless otherwise specified, most reels will be shipped as Right Top Rewind with the inlet, outlet riser and rewind mechanism on the operator's right.



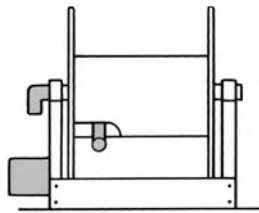
Right Top Rewind (RT)
reels have the inlet, outlet riser and rewind mechanism on the operator's right. Hose unwinds from the top of the reel.



Left Top Rewind (LT)
reels have the inlet, outlet riser and rewind mechanism on the operator's left. Hose unwinds from the top of the reel.



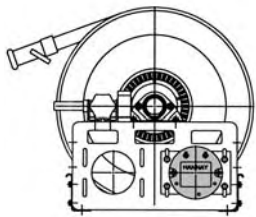
Right Bottom Rewind (RB)
reels have the inlet, outlet riser and rewind mechanism on the operator's right. Hose unwinds from the bottom of the reel.



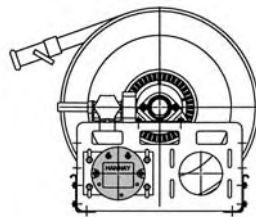
Left Bottom Rewind (LB)
reels have the inlet, outlet riser and rewind mechanism on the operator's left. Hose unwinds from the bottom of the reel.

Note: Use position initials as suffix after model number, ie: EF32-23-24-RT

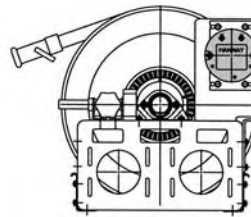
Optional Motor Locations



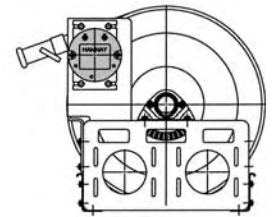
Bottom Rear
(Standard)



Bottom Front



Elevated 2 o'clock

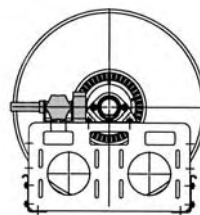


Elevated 10 o'clock

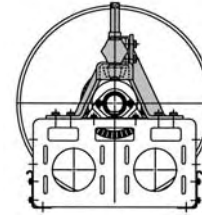
Electric rewind motors can be installed in any of the positions shown in these drawings. The Bottom Rear position is standard. The motor is installed inside the frame on Model ESF reels, which are designed for installation in restricted space.

Optional Auxiliary Rewind Positions

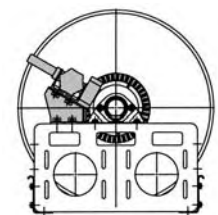
Horizontal ring and pinion gear crank rewind mechanism is the standard configuration. Optional positions include vertical and 30° above centerline, as shown in these drawings. Both are available at extra cost and must be specified.



Horizontal
(Standard)



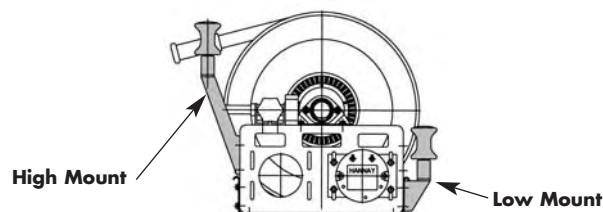
Vertical



30° Angle

Optional Roller Positions

Optional roller assembly mounting kits, up to 2 of either can be mounted per reel. Consult factory, and indicate installation location – front or rear of reel.



F4000

COMPACT REELS FOR BOOSTER HOSE

To handle single 3/4" I.D. or 1" I.D. hose.

- Choose direct crank rewind (removable) or chain and sprocket drive powered by electric, hydraulic or compressed air motor.
- Power rewind supplied with comet brake.
- Direct crank rewind supplied with cam-lock brake.
- Standard inlet 90° ball bearing swivel joint with 1" female NPT threads.
- Standard outlet 1" male NST threads (1.375" x 8 threads per inch).
- Consult factory for other sizes and/or threads.
- Standard inlet, outlet riser and hub assembly are steel (also available in stainless steel).
- Rollers and roller mounting brackets are accessory items. Specify roller position.



Standard Electric Motor Configuration Shown

- Pressures to 1000 psi (69 bar).
- Temps from -60°F to +250°F (-51°C to +121°C).
- Consult factory for other pressures and temperatures.

CAUTION: F4000/4100 series reels not recommended for use with Niedner Reeltex hose. See page 18.

Parts Drawing – ISO 68

Model Number	Hose Capacity of Reel			Approx. Weight			Reel Dimensions***												
	feet			lb.			inches												
	m.			kg.			mm.												
For Power Rewind See Note 4	I.D. (in)	3/4"	1"	NET	UPS FedEx Ship Wt.	FREIGHT Ship Wt.	A	B	E CRANK	E POWER	F CRANK	F POWER	X						
I.D. (mm)	19	25	O.D. (in)											1-9/32"	1-9/16"	O.D. (mm)	33	40	
F4024-17-18	100	50	46	83*	81	21	16	16.5	19	32.62	27	19.5	533	406	419	483	829	686	495
F4038-17-18	200	100	70	-	125	35	30	16.5	19	46.62	41	33.5	889	762	419	483	1184	1041	851

Notes:

- Specifications subject to change.
1. Upon request, reels can be supplied with drum lengths other than shown and with disc sizes in other diameters.
 2. Weights shown in chart are for crank rewind models. Add these amounts for power rewind models.
- | | Net (lbs.) | Ship (lbs.) | Net (kg.) | Ship (kg.) |
|-----------|------------|-------------|-----------|------------|
| Electric | 18 | 18 | 8.2 | 8.2 |
| Hydraulic | 15 | 15 | 6.8 | 6.8 |
| Air | 15 | 15 | 6.8 | 6.8 |
3. Dimension "F" is the overall length of standard model reels. On crank rewind models, the dimension shown is with the crank in rewind position. Reels require 3-1/2" clearance to remove crank handle.
 4. When ordering power rewind models, prefix number with:
 A = Air Rewind E = Electric Rewind HD = Hydraulic Rewind
 (Air rewind reels are supplied with control valve and 18" air hose; 12v and 24v DC rewind reels are supplied with switch and solenoid, 115v AC rewind reels are not supplied with switch but can be ordered separately, hydraulic rewind reels are not supplied with control valve.)

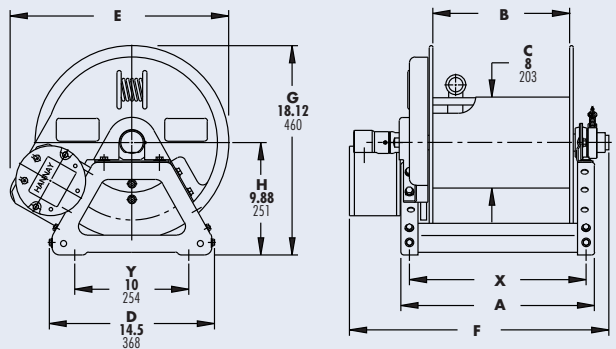
5. Be sure to check dimensions and weights prior to ordering.

6. Some roller options may prohibit the use of our molded chain guard.

NOTICE: A Flexible Connector must be used between the inlet pipe and the inlet swivel joint.

*Dimensional weight may apply when shipped as a parcel package (via FedEx or UPS Ground).

***x,y indicate mounting holes.



Optional External Mounting Brackets part no. 9906.0025
 Add 2-1/2" to X dimension shown in the chart.

F4100

MANUAL OR POWER REWIND REELS

To handle single 3/4" or 1" I.D. hose.



Electric Rewind Shown with Gear Driven Crank Rewind

- Lightweight compact reels designed for long lengths of hose in manual and power rewind.
- Gear driven crank rewind handle is removable.
- Chain and sprocket drive powered by electric, hydraulic, or compressed air motor.
- Gear driven crank rewind, adjustable pinion brake.
- Standard inlet 90° ball bearing swivel joint 1" female NPT threads.
- Standard outlet 1" male NST threads.
- Optional Rollers: Specify roller position when ordering.
- Pressures to 1000 psi (69 bar).
- Temperatures from -60° F to +250° F (-51° C to +121° C).
- Consult factory for other pressures & temps.

CAUTION: F4000/4100 series reels not recommended for use with Niedner Reeltex hose. See page 18.

Parts Drawing – ISO 216

Model Number	Hose Capacity of Reel			Approx. Weight Crank Rewind ³		Reel Dimensions***					
	I.D. (in) I.D. (mm)	3/4" 19	1" 25	NET	SHIP	A	B	E CRANK	E POWER	F	X
For Power Rewind See Note 5	O.D. (in) O.D. (mm)	1-9/32" 33	1-9/16" 40								
F4118-17-18		50 15	35 11	62 28	97 44	15 381	10 254	18 457	20.5 521	21.5 546	7.5 190
F4124-17-18		100 30	50 15	72 33	107 49	21 533	16 406	18 457	20.5 521	27.5 699	13.5 343
F4130-17-18		150 46	75 23	83 38	118 54	27 686	22 559	18 457	20.5 521	33.5 851	19.5 495
F4138-17-18		200 61	100 30	96 44	131 59	35 889	30 762	18 457	20.5 521	41.5 1054	27.5 698

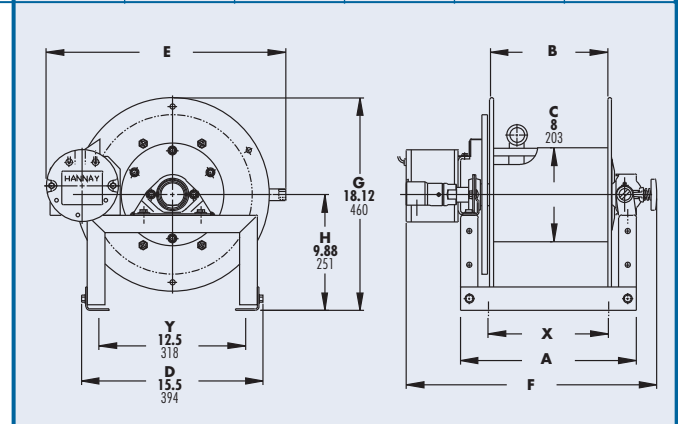
Notes:

1. Specifications subject to change.
2. Upon request, reels can be supplied with drum lengths other than shown.
3. Weights shown in chart are for crank rewind models. ADD these amounts for power rewind models:

	Net (lbs.)	Ship (lbs.)	Net (kg.)	Ship (kg.)
Electric	18	18	8.2	8.2
Hydraulic	15	15	6.8	6.8
Air	15	15	6.8	6.8
4. Dimension "F" is the overall length of standard model reels.
5. When ordering power rewind models, prefix model number with:
 A = Air Rewind E = Electric Rewind HD = Hydraulic Rewind
 (Air rewind reels are supplied with control valve and 18" air hose; 12v and 24v DC rewind reels are supplied with switch and solenoid; 115v AC rewind reels are not supplied with switch but can be ordered separately; hydraulic rewind reels are not supplied with control valve.)
6. Be sure to check dimensions and weights prior to ordering.

NOTICE: A Flexible Connector must be used between the inlet pipe and the inlet swivel joint.

*** x,y indicate mounting holes.



F

FOR BOOSTER HOSE**To handle 3/4" I.D. or 1" I.D. hose.**

- Painted steel booster hose reel is dependable, rugged.
- "Super Booster" (aluminum construction) reel weighs up to 30% less than standard booster reel. Stainless Steel construction is also available.
- Gear-driven crank rewind is standard. Choose chain and sprocket drive powered by electric, hydraulic or compressed air motor.
- Pinion brake standard.
- Standard inlet 1" 90° ball bearing swivel joint with 1" female NPT threads.
- Standard outlet 1" male NST threads. (1.375" x 8 threads per inch.)
- Consult factory for other sizes and/or threads.
- Standard inlet, outlet riser and hub assembly are steel (also available in stainless steel).
- Rollers and roller mounting brackets are accessory items. Specify roller position
- Pressures to 1000 psi (69 bar).
- Temperatures from -60°F to +250°F (-51°C to +121°C).
- Consult factory for reels to operate at other pressures and temperatures.

CAUTION: When using Niedner Reeltex hose a special riser and/or larger drum diameter is required.
See chart for capacity on page 18, or consult factory.

**Standard Configuration**



Parts Drawing: Series F – ISO 84, Super Booster – ISO 122.

Model Number	Hose Capacity of Reel			Approx. Weight Crank Rewind ³				Reel Dimensions ^{***}									
	feet m.			lb.		kg.		inches mm.									
	I.D. (in) I.D. (mm)	3/4" 19	1" 26	STEEL		ALUM		A	B	D	E	F CRANK	F POWER	G	H	X	Y
*F32-19-21	150 46	100 30	100 30	102 46	144 65	80 36	122 55	29.5 749	24 610	20.5 521	21.62 549	34.25 870	34.38 873	21.5 546	12.12 308	21.5 546	16.75 425
	150 46	100 30	100 30	92 42	134 61	75 34	117 53	21 533	15.5 394	20.5 521	23 584	25.75 654	25.88 657	23.5 597	12.12 308	13 330	16.75 425
*F24-23-24	250 76	150 46	150 46	105 48	147 67	82 37	124 56	27.5 699	22 559	20.5 521	23 584	32.25 819	32.38 822	23.5 597	12.12 308	19.5 495	16.75 425
	350 107	200 61	200 61	120 54	162 73	92 42	134 61	35 889	29.5 749	20.5 521	23 584	39.75 1010	41.75 1060	23.5 597	12.12 308	27 686	16.75 425
F38-23-24	300 91	200 61	200 61	113 51	155 70	87 39	129 59	25.5 648	20 508	25.5 648	24.75 629	30.25 768	32.25 819	27.88 708	15.5 394	17.5 445	21.75 552
	400 122	250 76	250 76	126 57	168 76	93 42	135 61	31.5 800	26 660	25.5 648	24.75 629	36.25 921	38.25 972	27.88 708	15.5 394	23.5 597	21.75 552
*F16.5-30-31	200 61	100 30	100 30	100 45	150 68	80 36	130 59	13.5 343	8 203	25.5 648	28.75 730	18.25 464	18.38 467	29.88 759	15.5 394	5.5 140	21.75 552
	250 76	150 46	150 46	107 49	157 71	83 38	133 60	17 432	11.5 292	25.5 648	28.75 730	21.75 552	21.88 556	29.88 759	15.5 394	9 229	21.75 552
F24-30-31	400 122	200 61	200 61	113 51	163 74	87 39	137 62	21 533	15.5 394	25.5 648	28.75 730	25.75 654	27.75 705	29.88 759	15.5 394	13 330	21.75 552
	500 152	250 76	250 76	121 55	171 78	90 41	140 64	25.5 648	20 508	25.5 648	28.75 730	30.25 768	32.25 819	29.88 759	15.5 394	17.5 445	21.75 552
F30-30-31	550 168	300 91	300 91	125 57	175 79	92 42	142 64	27.5 699	22 559	25.5 648	28.75 730	32.25 819	34.25 870	29.88 759	15.5 394	19.5 495	21.75 552
	650 198	350 107	350 107	134 61	184 83	97 44	147 67	31.5 800	26 660	25.5 648	28.75 730	36.25 921	38.25 972	29.88 759	15.5 394	23.5 597	21.75 552

Notes:

Specifications subject to change.

1. A two-way flow hub is available at no extra cost and must be specified. Assembly is threaded on both ends so swivel joint can be attached at either end of the reel. A pipe cap seals the opposite end. (See Ordering & Accessory Guide.)
2. Upon request, reels can be supplied with drum lengths other than shown and with disc sizes in other diameters.
3. Weights shown in chart are for manual rewind models. Add these amounts for power rewind models.

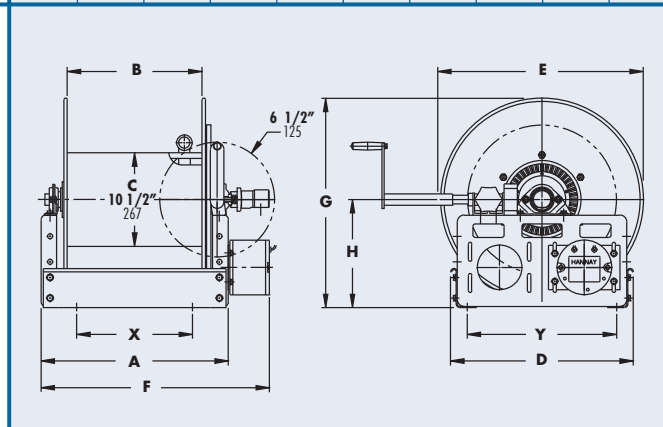
	Net (lbs.)	Ship (lbs.)	Net (kg.)	Ship (kg.)
Electric	40	40	18.1	18.1
Hydraulic	20	20	9.1	9.1
Air	20	20	9.1	9.1

4. When ordering power rewind models, prefix model number with:
 E = Electric rewind (1/3 HP) EP = Electric rewind (1/2 HP)
 A = Air rewind HD = Hydraulic Rewind
 (Air rewind reels are supplied with control valve and 18" air hose; 12v and 24v DC rewind reels are supplied with switch and solenoid, 115v AC rewind reels are not supplied with switch but can be ordered separately, hydraulic rewind reels are not supplied with control valve.)
5. For polished aluminum reels, prefix complete model number with "SB"; for example: SBEF 32-19-21.
- * The "F" dimension for these models is shown for 1/3 HP motors. Add 2" to "F" dimension for 1/2 HP motors. The "F" dimension for all other reels is shown for 1/2 HP. Reels handling 200' or more must use 1/2 HP Motor. (Use prefix EP when ordering.)
6. When installing FH-3 rollers add 4-1/2" to "D" dimension.

7. Be sure to check dimensions and weights prior to ordering.

NOTICE: A Flexible Connector must be used between the inlet pipe and the inlet swivel joint.

***x,y indicate mounting holes.



SF

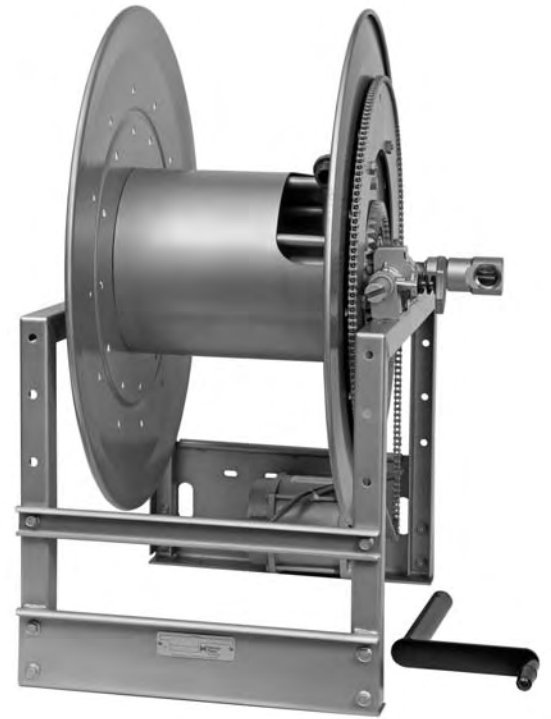
FOR BOOSTER HOSE— INBOARD MOUNTED MOTOR

To handle 3/4" I.D. or 1" I.D. hose.

- Inboard motor location high profile
- All models are available in aluminum or stainless steel construction.
- Gear-driven crank rewind is standard. Choose chain and sprocket drive powered by electric, hydraulic or compressed air motor.
- Pinion brake standard.
- Standard inlet 1" 90° ball bearing swivel joint with 1" female NPT threads.
- Standard outlet 1" male NST threads (1.375" x 8 threads per inch).
- Consult factory for other sizes and/or threads
- Standard inlet, outlet riser and hub assembly are steel (also available in stainless steel).
- Rollers and roller mounting brackets are accessory items. Specify roller position.
- Pressures to 1000 psi (69 bar)
- Temperatures from -60°F to +250°F (-51°C to +121°C).
- Consult factory for other pressures and temperatures.

CAUTION: When using Niedner Reeltex hose a special riser and/or larger drum diameter is required .

See chart for capacity on page 18, or consult factory.



Standard Configuration



Parts Drawing – ISO 220

Model Number	Hose Capacity of Reel feet m.			Approx. Weight Crank Rewind ³ lb. kg.				Reel Dimensions ^{***} inches mm.								
	I.D. (in) I.D. (mm)	3/4" 19	1" 26	STEEL		ALUM		A	B	D	E	F	G	H	X	Y
	O.D. (in) O.D. (mm)	1-9/32" 33	1-9/16" 40	NET	SHIP	NET	SHIP									
SF32-19-21		150 46	100 30	102 46	144 65	80 36	122 55	29 737	24 610	20.5 521	21.62 549	34 864	25.12 638	15.75 400	21.5 546	16.75 425
SF24-23-24		150 46	100 30	92 42	134 61	75 34	117 53	20.5 521	15.5 394	23.5 597	23 584	25.5 648	29.25 743	17.88 454	13 330	19.75 502
SF30-23-24		250 76	150 46	105 48	147 67	82 37	124 56	27 686	22 559	23.5 597	23 584	32 813	29.25 743	17.88 454	19.5 495	19.75 502
*SF28-25-26		300 91	200 61	113 51	155 70	87 39	129 59	25 635	20 508	25.5 648	24.75 629	30 762	30.88 784	18.5 470	17.5 445	21.75 552
*SF34-25-26		400 122	250 76	126 57	168 76	93 42	135 61	31 787	26 660	25.5 648	24.75 629	36 914	30.88 784	18.5 470	23.5 597	21.75 552
SF16.5-30-31		200 61	100 30	100 45	150 68	80 36	130 59	13 330	8 203	29 737	28.75 730	18 457	35.62 905	21.25 540	5.5 140	25.25 641
SF20-30-31		250 76	150 46	107 49	157 71	83 38	133 60	16.5 419	11.5 292	29 737	28.75 730	21.5 546	35.62 905	21.25 540	9 229	25.25 641
*SF24-30-31		400 122	200 61	113 51	163 74	87 39	137 62	20.5 521	15.5 394	29 737	28.75 730	25.5 648	35.62 905	21.25 540	13 330	25.25 641
*SF28-30-31		500 152	250 76	121 55	171 78	90 41	140 64	25 635	20 508	29 737	28.75 730	30 762	35.62 905	21.25 540	17.5 445	25.25 641
*SF30-30-31		550 168	300 91	125 57	175 79	92 42	142 64	27 686	22 559	29 737	28.75 730	32 813	35.62 905	21.25 540	19.5 495	25.25 641
*SF34-30-31		650 198	350 107	134 61	184 83	97 44	147 67	31 787	26 660	29 737	28.75 730	36 914	35.62 905	21.25 540	23.5 597	25.25 641

Notes:

Specifications subject to change.

1. A two-way flow hub is available at no extra cost and must be specified. Assembly is threaded on both ends so swivel joint can be attached at either end of the reel. A pipe cap seals the opposite end (See Ordering & Accessory Guide.)
2. Upon request, reels can be supplied with drum lengths other than shown and with disc sizes in other diameters.
3. Weights in chart are for manual rewind models. Add these amounts for power rewind models.

	Net (lbs.)	Ship (lbs.)	Net (kg.)	Ship (kg.)
Electric	40	40	18.1	18.1
Hydraulic	20	20	9.1	9.1
Air	20	20	9.1	9.1

4. When ordering power rewind models, prefix model number with:
 E = Electric Rewind (1/3 HP) EP = Electric Rewind (1/2 HP)
 A = Air Rewind HD = Hydraulic Rewind
 (12v and 24v DC rewind reels are supplied with switch and solenoid; 115v AC rewind reels (prefix EP) are not supplied with switch but can be ordered separately.)

5. For polished aluminum reels, prefix complete model number with "SB"; for example: SBESF32-19-21.

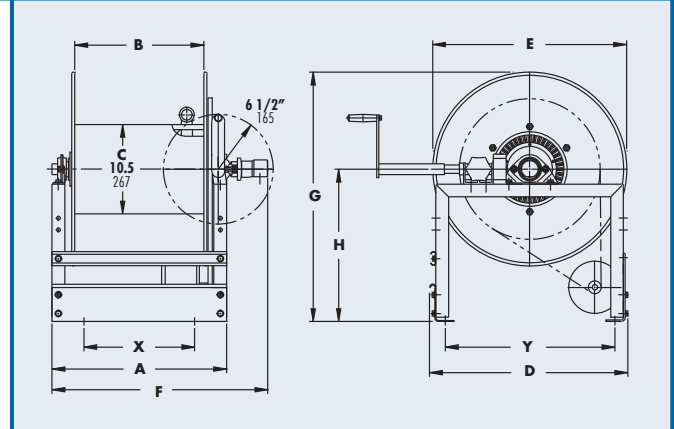
6. All frames are rollformed channel, except Super Booster, which is square tubing.

7. Be sure to check dimensions and weights prior to ordering.

NOTICE: A Flexible Connector must be used between the inlet pipe and the inlet swivel joint.

* Reels handling 200' or more of 1" must use 1/2 HP Motor.

***x,y indicate mounting holes.

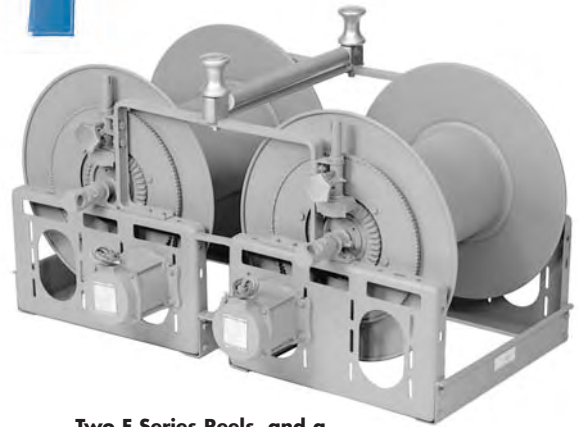


TWIN KIT

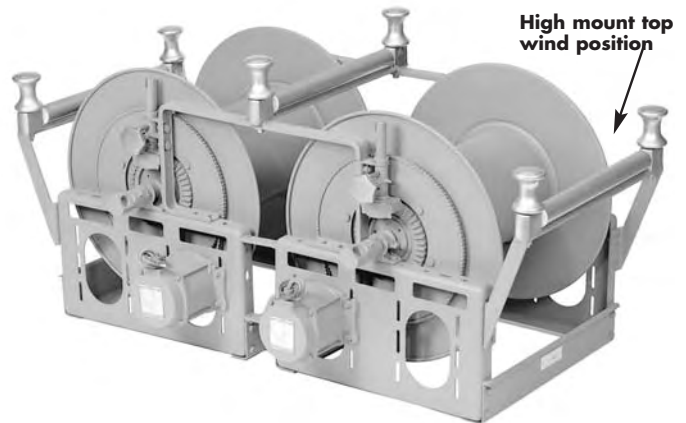
FOR BOOSTER HOSE REELS

Series F & FF.

Twin booster hose reels combine matched F or FF Series reels in a single unit with a center-mounted roller and spool assembly. Hose from both reels can be used on either side of the truck. Rugged unit frame construction maintains alignment and simplifies installation when two reels are combined. All models are also available as Super Booster reel with aluminum and plated components as described on pages 4-5 or pages 14-15.



Two F Series Reels, and a Twin Fire Reel Conversion Kit



Two F Series Reels, and a Twin Fire Reel Conversion Kit and Two optional outrigger roller assemblies

FH-3 Roller and Spool Assembly

Not recommended for hoses larger than 1-1/2" I.D.

Speeds handling and reduces hose wear. Buffed stainless steel rollers resist corrosion, pitting and abrasion. Polished, chrome-plated spools and blocks add lasting beauty to your equipment. Delrin bearing surfaces provide for quiet operation and minimum wear.

Assembly can be factory-installed, when specified, or ordered for field installation on reels or other equipment.

To order: For factory installation, specify FH-3 Assembly and indicate position on reel. As a component, the complete model number of the reel must be specified.



P/N 9939.0042



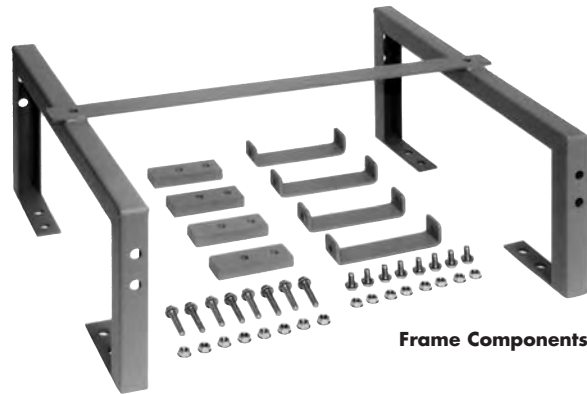
FH-3 Top Wind Outrigger Mounting Brackets
P/N 9941.0023

TWIN REEL CONVERSION KIT

Part No.	Description (<i>model of reel must be specified</i>)
Steel Reels	
9920.0050	Conversion Kit for Twin Fire Reel w/FH3 Roller Assembly for small steel pressed frame (23-24 and smaller)
9920.0051	Conversion Kit for Twin Fire Reel w/FH3 Roller Assembly for large steel pressed frame (25-26 and larger)
9920.0052	Conversion Kit for Twin Fire Reel w/FH3 Roller Assembly for 33-34 steel roll-formed frame
Super Booster Reels	
9920.0055	Conversion Kit for Twin Fire Reel w/FH3 Roller Assembly for small aluminum pressed frame (23-24 and smaller)
9920.0056	Conversion Kit for Twin Fire Reel w/FH3 Roller Assembly for large aluminum pressed frame (25-26 and larger)
9920.0057	Conversion Kit for Twin Fire Reel w/FH3 Roller Assembly for 33-34 aluminum square tubing frame



FH-3 Roller Assembly



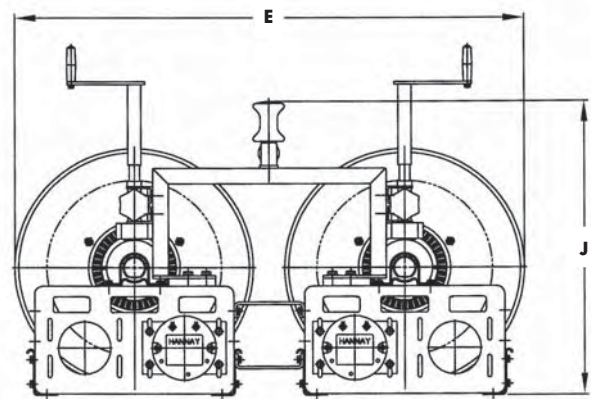
Frame Components

Note:
Requires strap style bearings on reels.

Dimensions of Twin Kit for "F" Series Reels:

(in conjunction with chart on page 5, after assembly)

for models ending with	Dimension	
	E	J
23-24	48.5"	28.0"
25-26	52.5"	31.38"
30-31	60.5"	31.38"
33-34	66.5"	33.75"



Options: (model must be specified)

For additional outrigger option (see middle photo on page 8): you will need 2 - 9939.0042 FH-3 Roller & Spool assemblies, and 2 - 9941.0023 FH-3 Top Wind Outrigger Mounting Brackets.

Assembly can be factory-installed, when specified, or ordered for field installation on reels or other equipment.

7100/7200

FOR DUAL-AGENT APPLICATIONS

To handle dual hose 3/4" I.D. thru 1-1/2" I.D.

- Two swivel joint inlets and two outlet risers.
- All models are available with optional aluminum or stainless steel construction.
- Gear-driven crank rewind is standard. Choose chain and sprocket drive powered by electric, hydraulic or compressed air motor.
- Pinion brake standard.
- Standard inlet, outlet riser and hub assembly are steel (also available in stainless steel).
- Rollers and roller mounting brackets are accessory items. Specify roller position.

Series 7100

- Standard inlets are 1" 90° ball bearing swivel joints with 1" female NPT threads.
- Standard outlets are 1" male NST threads (1.375" x 8 threads per inch).
- Pressures to 1000 psi (69 bar)
- Temperatures from -60°F to +250°F (-51°C to +121°C).

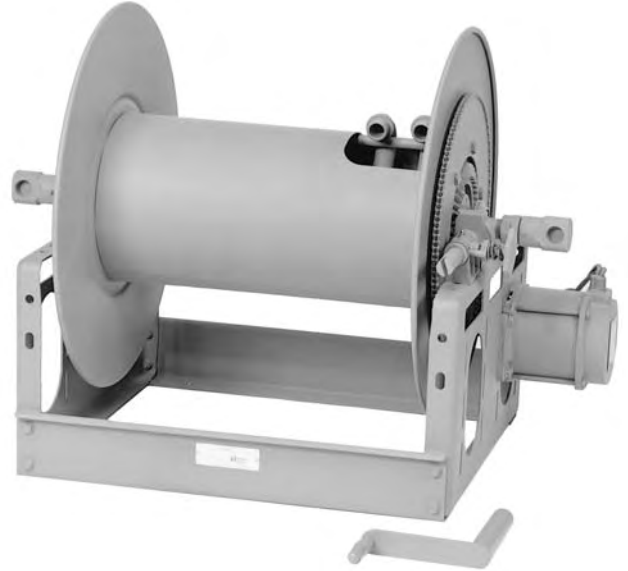
Series 7200

- Standard inlets are 1-1/2" 90° ball bearing swivel joints with 1-1/2" female NPT threads and 2" victaulic groove.
- Standard outlets are 1-1/2" male NST threads (1.990" x 9 threads per inch).
- Pressures to 600 psi (41 bar)
- Temperatures from -60°F to +175°F (-51°C to +79°C)

Both Series

- Consult factory for other sizes and/or threads.
- Consult factory for other pressures and temperatures.

CAUTION: When using Niedner Reeltex hose a special riser and/or larger drum diameter is required (consult factory).



**7100 Series Shown
Standard Configuration**

7100/7200

Parts Drawing: Series 7100 – ISO 72, Series 7200 – ISO 74

Model Number	Hose Capacity of Reel feet m.				Approx. Weight Crank Rewind 2 lb. kg.		Reel Dimensions*** inches mm.									
	I.D. (in) I.D. (mm)	3/4" 19	1" 25	1-1/2" 38	NET	SHIP	A	B	D	E	F CRANK	F POWER	G	H	X	Y
	O.D. (in) O.D. (mm)	1-9/32" 33	1-9/16" 40	2-1/16" 52												
7128-23-24		2/100 2/31	2/50 2/15	----	109 49	151 68	25.5 648	20 508	20.5 521	23 584	35 889	37 940	23.5 597	12.12 308	17.5 445	16.75 425
7130-25-26		2/150 2/46	2/100 2/31	----	125 57	175 79	27.5 699	22 559	25.5 648	24.75 629	37 940	39 991	27.88 708	15.5 394	19.5 495	21.75 552
7128-30-31		2/200 2/61	2/125 2/38	----	129 59	179 81	25.5 648	20 508	25.5 648	28.75 730	35 889	37 940	29.88 759	15.5 394	17.5 445	21.75 552
7128-33-34		2/250 2/76	2/150 2/46	----	129 59	179 81	25 635	20 508	31.5 800	31.75 806	34.5 876	36.5 927	33.62 854	17.75 451	17.5 445	27.75 705
7230-25-26		----	----	2/50 2/15	144 65	194 88	27.5 699	22 559	25.5 648	24.75 629	40.5 1029	40.75 1035	27.88 708	15.5 394	19.5 495	21.75 552
7228-30-31		----	----	2/50 2/15	148 67	198 90	25.5 648	20 508	25.5 648	28.75 730	38.5 978	38.75 984	29.88 759	15.5 394	17.5 445	21.75 552
7230-33-34		----	----	2/100 2/31	160 73	210 95	27 686	22 559	31.5 800	31.75 806	40.5 1029	40.5 1029	33.62 854	17.75 451	19 483	27.75 705

Notes:

Specifications subject to change.

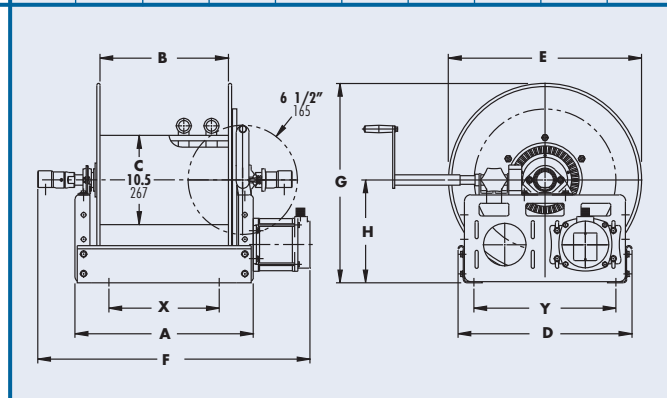
1. Upon request, reels can be supplied with drum lengths other than shown and with disc sizes in other diameters.
2. Weights in chart are for manual rewind models. Add these amounts for power rewind models:

	Net (lbs.)	Ship (lbs.)	Net (kg.)	Ship (kg.)
Electric	40	40	18.1	18.1
Hydraulic	20	20	9.1	9.1
Air	20	20	9.1	9.1

3. When ordering power rewind models prefix model number with:
EP = Electric Rewind (1/2 HP) A = Air Rewind HD = Hydraulic Rewind
(Air rewind reels are supplied with control valve and 18" air hose; 12v and 24v DC rewind reels are supplied with switch and solenoid, 115v AC rewind reels are not supplied with switch but can be ordered separately, hydraulic rewind reels are not supplied with control valve.)
4. For polished aluminum reels, prefix complete model number with "SB"; for example: SBEP 7128-23-24.
5. **Be sure to check dimensions and weights prior to ordering.**

NOTICE: A Flexible Connector must be used between the inlet pipe and the inlet swivel joint.

***x,y indicate mounting holes.



3100/3600

FOR INDUSTRIAL FIRE PROTECTION

To handle 3/4" I.D. thru 1-1/2" I.D. hose.

- The reel can be installed on the floor or wall.
- Steel construction is standard. Aluminum or stainless steel construction is available.
- Choose disc rewind or removable direct crank rewind.
- Supplied with spring actuated pinlock.
- Standard inlet, outlet riser and hub assembly are steel (also available in stainless steel).
- Rollers and roller mounting brackets are accessory items. Specify roller position.

Series 3100

- Standard inlet 1" 90° ball bearing swivel joint with 1" female NPT threads.
- Standard outlet 1" male NST threads (1.375" x 8 threads per inch).
- Pressures to 1000 psi (69 bar).
- Temperatures from -60°F to +225°F (-51°C to +121°C).

Series 3600

- Standard inlet 1-1/2" 90° ball bearing swivel joint with 1-1/2" female NPT threads and 2" victaulic groove.
- Standard outlet 1-1/2" male NST threads (1.990" x 9 threads per inch).
- Pressures to 600 psi (41 bar).
- Temperatures from -60°F to +175°F (-51°C to +79°C).

Both Series

- Consult factory for other sizes and/or threads.
- Consult factory for other pressures and temperatures.
- Removable Crank Rewind is standard.
- For Hand over Hand Rewind option (less crank) consult factory.

CAUTION: When using Niedner Reeltex hose a special riser and/or larger drum diameter is required (consult factory).



3600 series shown
Standard Configuration

3100/3600

Parts Drawing: Series 3100 – ISO 113, Series 3600 – ISO 111

Model Number	Hose Capacity of Reel feet m.				Approx. Weight Crank Rewind lb. kg.		Reel Dimensions*** inches mm. NOTE 1 inch = 25.4 mm							
	Round Hose		Collapsible Hose		NET	SHIP	A	B	D	E	F	G	H	X
	I.D. (in) I.D. (mm)	3/4" 19	1" 25	1" 26										
	O.D. (in) O.D. (mm)	1-9/32" 33	1-9/16" 40	1/2"x1-3/4" 13x44										
3116-25-26		100 30	50 15	200 61	85 39	120 54	13 330	7.5 191	25.5 648	24 610	24.75 629	27.88 708	15.5 394	7.75 197
3120-25-26		150 46	100 30	350 107	94 43	129 59	17 432	11.5 292	25.5 648	24 610	28.75 730	27.88 708	15.5 394	9 229
3124-25-26		250 76	150 46	450 137	103 47	138 63	21 533	15.5 394	25.5 648	24 610	32.75 832	27.88 708	15.5 394	13 330
3128-25-26		300 91	200 61	650 198	113 51	155 70	25.5 648	20 508	25.5 648	24 610	32.75 832	27.88 708	15.5 394	17.5 445

Model Number	Hose Capacity of Reel feet m.					Approx. Weight Crank Rewind lb. kg.		Reel Dimensions*** inches mm. NOTE 1 inch = 25.4 mm							
	Round Hose		Collapsible Hose			NET	SHIP	A	B	D	E	F	G	H	X
	I.D. (in) I.D. (mm)	1" 25	1-1/2" 38	1-1/2" 38	1-3/4" 44										
	O.D. (in) O.D. (mm)	1-9/16" 40	2-1/16" 52	3/4"x3" 19x76	7/8"x3-1/4" 22x83										
3616-25-26		50 15	— —	50 15	50 15	95 43	130 59	13 330	7.5 191	25.5 648	24 610	26 660	27.88 708	15.5 394	7.75 197
3620-25-26		100 30	50 15	100 30	75 23	104 47	139 63	17 432	11.5 292	25.5 648	24 610	30 762	27.88 708	15.5 394	9 229
3624-25-26		150 46	75 23	150 46	100 30	113 51	148 67	21 533	15.5 394	25.5 648	24 610	34 864	27.88 708	15.5 394	13 330
3628-25-26		200 61	100 30	200 61	150 46	123 56	173 78	25.5 648	20 508	25.5 648	24 610	38.5 978	27.88 708	15.5 394	17.5 445
3624-30-31		200 61	100 30	250 76	150 46	124 56	174 79	21 533	15.5 394	25.5 648	30 762	34 864	30.38 772	16 406	13 330
3628-30-31		275 84	150 46	300 91	250 76	134 61	184 83	25.5 648	20 508	25.5 648	30 762	38.5 978	30.38 772	16 406	17.5 445
3634-30-31		375 114	200 61	400 122	350 107	147 67	197 89	31.5 800	26 660	25.5 648	30 762	44.5 1130	30.38 772	16 406	23.5 597
3630-33-34		400 122	250 76	450 137	350 107	138 63	188 85	27.5 699	22 559	25.5 648	31.75 806	40.5 1029	32.38 822	16.5 419	19.5 495

Notes:

Specifications subject to change.
1. Upon request, reels can be supplied with drum lengths other than shown and with disc sizes in other diameters.

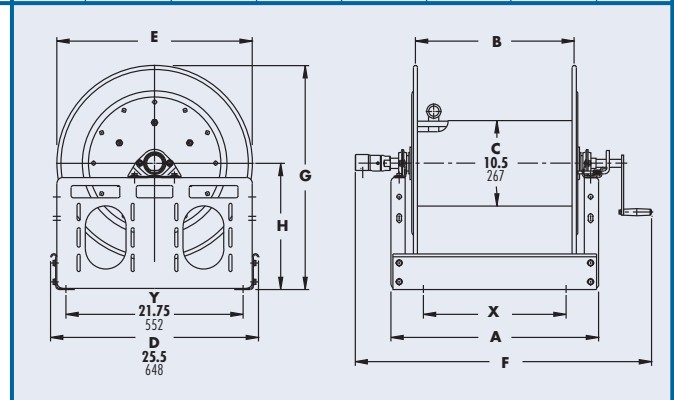
2. Power rewind are not available on these models.
See Series F or FF.

3. 4" clearance needed for crank handle removal.

4. Be sure to check dimensions and weights prior to ordering.

NOTICE: A Flexible Connector must be used between the inlet pipe and the inlet swivel joint.

***x,y indicate mounting holes.



FF

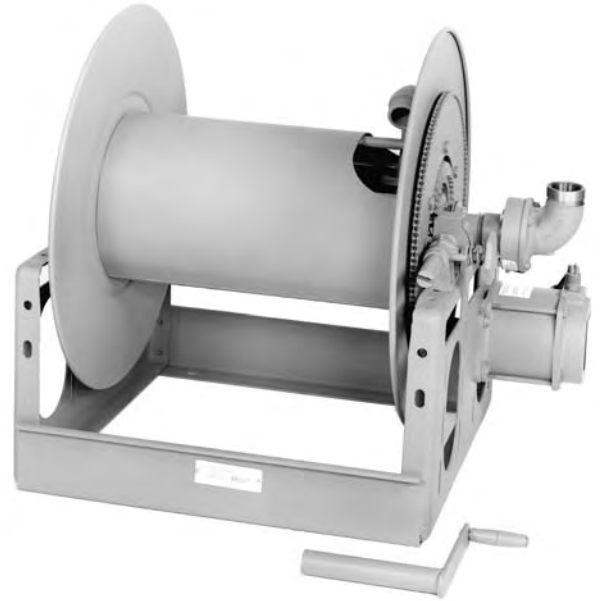
FOR LARGE BOOSTER HOSE OR PRECONNECTED COLLAPSIBLE HOSE

To handle 1-1/4" I.D. or 1-1/2" I.D. booster hose or 1-1/2" I.D. or 1-3/4" I.D. collapsible hose.

- Accommodate large diameter booster hose or preconnected collapsible hose.
- Flanged outlet riser .
- All models are available in aluminum or stainless steel construction.
- Gear-driven crank rewind is standard. Choose chain and sprocket drive powered by electric, hydraulic or compressed air motor.
- Pinion brake standard.
- Standard inlet 1-1/2" 90° ball bearing swivel joint with 1-1/2" female NPT threads and 2" victaulic groove.
- Standard outlet 1-1/2" male NST threads. (1.990" x 9 threads per inch.)
- Consult factory for other sizes and/or threads.
- Standard inlet, outlet riser and hub assembly are steel (also available in stainless steel).
- Rollers and roller mounting brackets are accessory items. Specify roller position.
- Pressures to 600 psi (41 bar)
- Temperatures from -60°F to +175°F (-51°C to +79°C).
- Consult factory for other pressures and temperatures.

CAUTION: When using Niedner Reeltex hose a special riser and/or larger drum diameter is required .

See chart for capacity on page 18, or consult factory.



Standard Configuration Shown



Parts Drawing – ISO 18

Model Number	Hose Capacity of Reel feet m.				Approx. Weight Crank Rewind ³ lb. kg.				Reel Dimensions*** inches mm.									
	Round Hose		Collapsible Hose		STEEL		ALUM		A	B	D	E	F	G	H	X	Y	
	I.D. (in)	1-1/4"	1-1/2"	1-1/2"	1-3/4"	NET	SHIP	NET										SHIP
	I.D. (mm)	32	38	38	44													
O.D. (in)	1-13/16"	2-1/16"	3/4"x3"	7/8"x3-1/4"														
	O.D. (mm)	46	52	19x76	22x83													
FF28-23-24	100	50	150	125	111	153	80	122	25.5	20	20.5	23	32.25	23.5	12.12	17.5	16.75	
	30	15	46	38	50	69	36	55	648	508	521	584	819	579	308	445	425	
FF28-25-26	100	100	200	175	123	165	90	132	25.5	20	25.5	24.75	32.25	27.88	15.5	17.5	21.75	
	30	30	61	53	56	75	41	60	648	508	648	629	819	708	394	445	552	
FF16-30-31	75	50	100	75	110	160	83	133	13	7.5	25.5	28.75	19.75	29.88	15.5	7.75	21.75	
	23	15	30	23	50	73	38	60	330	191	648	730	502	759	394	197	552	
FF18-30-31	100	75	150	75	114	164	85	135	15	9.5	25.5	28.75	21.75	29.88	15.5	7	21.75	
	30	23	46	23	52	74	39	61	381	241	648	730	552	759	394	178	552	
FF28-30-31	250	150	300	250	131	181	93	143	25.5	20	25.5	28.75	32.25	29.88	15.5	17.5	21.75	
	76	46	91	76	59	82	42	65	648	508	648	730	819	759	394	445	552	
FF20-33-34	125	100	200	150	120	174	88	142	16.5	11.5	31.5	31.75	23.25	33.62	17.75	9	27.75	
	38	30	61	46	54	79	40	64	419	292	800	806	591	854	451	229	705	
FF22-33-34	150	150	250	200	125	179	91	145	18.5	13.5	31.5	31.75	25.25	33.62	17.75	11	27.75	
	46	46	76	61	57	81	41	66	470	343	800	806	641	854	451	279	705	

Notes:

Specifications subject to change.

- Dimensions up to and including 30-31 disc size reflect pressed frames. All others are rollformed channel frames, except Super Booster, which is square tubing.
- Upon request, reels can be supplied with drum lengths other than shown and with disc sizes in other diameters.
- Weights in chart are for manual rewind models. Add these amounts for power rewind models.

	Net (lbs.)	Ship (lbs.)	Net (kg.)	Ship (kg.)
Electric	40	40	18.1	18.1
Air	20	20	9.1	9.1
Hydraulic	20	20	9.1	9.1

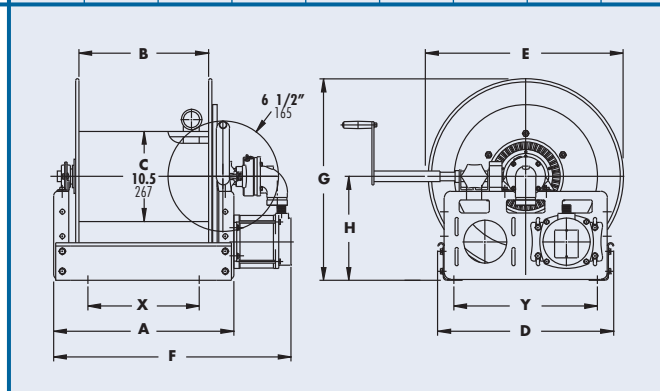
- When ordering power rewind models, prefix model number with:
EP = Electric Rewind (1/2 HP) A = Air Rewind HD = Hydraulic Rewind
(Air rewind reels are supplied with control valve and 18" air hose; 12v and 24v DC rewind reels are supplied with switch and solenoid. 115 v AC rewind reels are not supplied with switch but can be ordered separately, hydraulic rewind reels are not supplied with control valve.)

- For polished aluminum reels, prefix complete model number with "SB"; for example: SBEPFF28-23-24.

6. Be sure to check dimensions and weights prior to ordering.

NOTICE: A Flexible Connector must be used between the inlet pipe and the inlet swivel joint.

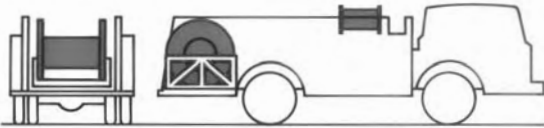
***x,y indicate mounting holes.



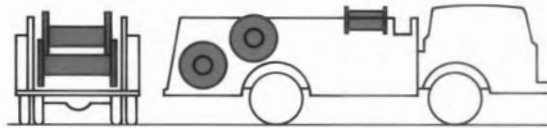
LD

REELS AND SPOOLS TO HANDLE UP TO 6" I.D. COLLAPSIBLE HOSE

Typical Installations:



Single large-capacity reel installed in the hose bed area to handle long lengths of pre-coupled hose. Hose pays out from the top of the reel so gravity assists unwinding.



Two reels installed in the hose bed. In this arrangement, the upper reel is unloaded only if necessary. Payout and rewinding of the upper reels are facilitated by the position of the lower reel. Two reels with larger-diameter discs and narrower drums can also be installed side-by-side in the rear of the hose bed to handle approximately the same amount of hose. This method allows a center walkway or paying out two lines simultaneously if required.

- Square tubing frames.
- Heavy gauge steel discs.
- Drums are formed by reinforced tie rods with radial supports.
- Pillow block ball bearings.
- Chain & sprocket rewind with electric (12 or 24V) or hydraulic rewind motor.
- Hydraulic caliper disc brake.

Hydraulic Requirements

- It is important that the End user provide the O.E.M. with complete specifications as to the required operation of the large diameter reel being specified. Any speed and torque requirements **MUST** be known to properly specify the correct reel for the application.
- Hannay Reels does not recommend specific brands for hydraulic system components. We suggest you work with your hydraulic component supplier to meet your specs.

Custom Reels

- The standard models listed represent the most frequently specified customer requirements for handling large-diameter fire hose. Because of the many possible variations in reel installation and hose capacity requirements, we will also custom build reels and spools to your specifications to become an integral part of the apparatus. Reels are built of steel construction, and various finishes are available.

Consult factory for complete specifications on a LD reel to meet your requirements.

Important: Hose capacity is based on the flat hose dimensions listed below, with couplings at 100 foot intervals.

Flat Hose Dimensions

I.D.	THICK x WIDTH	THICK x WIDTH METRIC EQUIVALENT
1"	1/2" x 1-3/4"	12.7 x 44.4
1-1/2"	3/4" x 3"	19.0 x 76.2
1-3/4"	7/8" x 3-1/4"	22.2 x 79.4
2"	3/4" x 3-1/2"	19.0 x 88.9
2-1/2"	3/4" x 4"	19.0 x 101.6
3"	1/2" x 5"	12.7 x 127.0
4"	1/2" x 6-1/2"	12.7 x 165.1
5"	1/2" x 8"	12.7 x 203.2
6"	1/2" x 10"	12.7 x 254.0

Custom sizes available to meet specific needs.

LD REELS & SPOOLS CONFIGURATIONS

Parts Drawing – ISO 104

Model Number	Hose Capacity of Reel										Approx. Weight (Steel)		Reel Dimensions Note 1 inch = 25.4 mm							
	feet m.										NET	SHIP	inches mm.							
	I.D. (in) I.D. (mm)	1-1/2" 38	1-3/4" 44	2" 51	2-1/2" 64	3" 76	4" 102	5" 127	6" 152	A HYD REWIND			A ELECT REWIND	B	D	E	G	H		
LD268-30	800 244	600 183	600 183	600 183	600 183	500 152	250 76	—	370 168	450 204	65.5 1664	63 1600	54 1372	30.5 775	30 762	39 991	24 610			
LD268-33	1000 305	700 213	800 244	700 213	800 244	600 183	350 107	—	385 175	465 211	65.5 1664	63 1600	54 1372	33.5 851	33 838	42 1067	25.5 648			
LD234-39	—	400 122	350 107	350 107	400 122	300 91	200 61	—	365 166	465 211	31.5 800	29 737	20 508	39.5 1003	39 991	45 1143	25.5 648			
LD242-39	—	500 152	600 183	500 152	500 152	400 122	300 91	—	381 173	481 218	39.5 1003	37 940	28 711	39.5 1003	39 991	45 1143	25.5 648			
LD262-39	—	—	—	—	1100 335	800 244	600 183	—	421 191	521 236	59.5 1511	57 1448	48 1219	39.5 1003	39 991	45 1143	25.5 648			
LD274-39	—	—	—	—	—	1050 320	800 244	—	445 202	545 247	71.5 1816	69 1753	60 1524	39.5 1003	39 991	45 1143	25.5 648			
LD242-45	—	—	—	—	—	500 152	400 122	—	427 194	557 253	40 1016	—	28 711	45.5 1156	45 1143	51 1295	28.5 724			
LD262-45	—	—	—	—	—	1100 335	900 274	—	467 212	597 271	60 1524	—	48 1219	45.5 1156	45 1143	51 1295	28.5 724			
LD274-45	—	—	—	—	—	1400 427	1100 335	—	491 223	621 282	72 1829	—	60 1524	45.5 1156	45 1143	51 1295	28.5 724			
LD242-52	—	—	—	—	—	800 244	500 152	300 91	581 264	731 332	40 1016	—	28 711	52.5 1334	52 1321	58 1473	32 813			
LD262-52	—	—	—	—	—	1500 457	1300 396	800 244	621 282	771 350	60 1524	—	48 1219	52.5 1334	52 1321	58 1473	32 813			
LD274-52	—	—	—	—	—	2000 610	1500 457	1200 366	645 283	795 361	72 1829	—	60 1524	52.5 1334	52 1321	58 1473	32 813			
LD250-56	—	—	—	—	—	1300 396	1000 305	700 213	657 298	817 371	48 1219	—	36 914	56.5 1435	56 1422	62 1575	34 864			
LD262-56	—	—	—	—	—	1800 549	1500 457	900 274	681 309	841 381	60 1524	—	48 1219	56.5 1435	56 1422	62 1575	34 864			
LD274-56	—	—	—	—	—	2300 701	1700 518	1400 427	705 320	865 392	72 1829	—	60 1524	56.5 1435	56 1422	62 1575	34 864			
LD350-64	—	—	—	—	—	1700 518	1300 396	900 274	613 513	1330 603	50.25 1276	—	36 914	64.75 1645	64 1626	70 1778	38 965			
LD374-64	—	—	—	—	—	3000 914	2000 610	1900 579	1200 544	1400 635	74.25 1886	—	60 1524	64.75 1645	64 1626	70 1778	38 965			

Electric rewind not available on these models.

Notes:

- Specifications subject to change.
- 1. Upon request, reels can be supplied with drum lengths other than shown and with disc sizes in other diameters.
- 2. Be sure to check dimensions and weights prior to ordering.

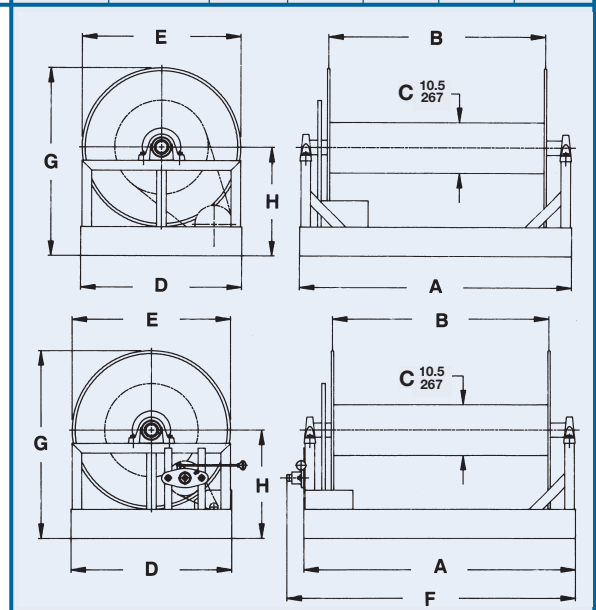
Version F Reel:

Complete reel assembly with No. 50 chain and sprocket and hydraulic rewind motor mounted inside the frame. When ordering use prefix model number with HD; for example, HDLD 350-64 version F.

Version G Reel:

(High profile) complete reel assembly with chain and sprocket drive and electric rewind motor, including clutch and double reduction unit. Motor is mounted inside the frame. Disc diameters (E dimension) up to and including 39" only. When ordering use prefix model number with EP; for example, EPLD 242-39 version G.

"F" dimension = "A" dimension +5



NOTES

NIEDNER REELTEX CAPACITIES

Model Number	Hose Capacity of Reel <u>feet</u> m.				Approx. Weight Crank Rewind <u>lb.</u> kg.				Reel Dimensions <u>inches</u> mm. E, F and G are overall dimensions									
	I.D. (in) I.D. (mm)	3/4"	1"	1-1/2"	STEEL		ALUM		A	B	C	D	E	F	G	H	X	Y
	O.D. (in) O.D. (mm)	1.075"	1.325"	1.825"	NET	SHIP	NET	SHIP										
F28-19-21-10.5	100 30	- -	- -	- -	98 44	140 64	76 34	118 54	25.5 648	20 508	10.5 267	20.5 521	21.62 549	30.25 768	21.5 546	12.12 308	17.5 445	16.75 425
F26-23-24-10.5	200 61	- -	- -	- -	94 43	136 62	71 32	113 51	23 584	17.5 445	10.5 267	20.5 521	23 584	27.88 708	23.5 597	12.12 308	15 381	16.75 425
F24-23-24-12	- -	100 30	- -	- -	92 42	134 61	75 34	117 53	21 533	15.5 394	12 305	20.5 521	23 584	25.88 657	23.5 597	12.12 308	13 330	16.75 425
F28-25-26-12	- -	200 61	- -	- -	113 51	155 70	87 39	129 59	25.5 648	20 508	12 305	25.5 648	24.75 629	32.25 819	27.88 708	15.5 394	17.5 445	21.75 552
FF32-30-31-20	- -	- -	100 30	- -	138 63	188 54	100 45	150 68	29.5 749	24 610	20 508	25.5 648	28.75 730	36.25 921	29.88 759	15.5 394	21.5 546	21.75 552
FF34-33-34-20	- -	- -	200 61	- -	140 64	194 88	106 48	160 73	31 787	26 660	20 508	31.5 800	31.75 806	37.75 959	33.62 854	17.75 451	23.5 597	27.75 705

Notes:

Specifications subject to change.

1. These reels require a special angle riser and larger diameter drum, consult factory.

2. For F series - refer to notes & diagram on page 5.

3. For FF series - refer to notes & diagram on page 15.

FF series requires 2/3 hp motor, specify when ordering

HOW TO ORDER REELS

Hannay Reels Order Worksheet

To order Hannay Reels, fill out this simple form (or a photocopy) and mail or fax to your Hannay Reels dealer.

1. Who's the reel for?

Company _____	Street Address _____		
Division _____	City _____	State _____	Zip _____
Contact _____	(_____) _____	Telephone _____	Country _____ / / _____
		Fax _____	Date _____

2. What is the reel for?

HOSE (check one):

Live Storage only Single hose Dual hose

Inside diameter: _____

Outside diameter: _____

Bend radius: _____

Hose length: _____

Hose weight: _____

Flat hose dimensions: _____

Coupling spacing: _____

Type of product handled live application (check one):

Liquid (specify type): _____

Gases (specify type): _____

Oxygen/Acetylene: _____

Other (specify type): _____

Hydraulic fluid (specify type): _____

Temperature: _____

Pressure: _____

CABLE (check one):

Live Storage only

No. of conductors required: _____

Outside diameter: _____

Bend radius: _____

Reel inlet type (check one):

90° Straight

Special material (internal hub assembly)

Aluminum Malleable iron Stainless steel Steel

Connector size: _____

Reel outlet type (riser):

Size: _____

Thread (check one):

National Pipe Thread (NPT)

Joint Industry Committee (JIC)

National Standard Thread (NST)

British Standard Pipe (BSP)

Other _____

Indicate your special specifications _____

Cable length: _____

Number of Connectors: _____

Cable weight: _____

Amperage (live application only): _____

Voltage: _____

3. What features does the reel need?

Check type of rewind:

MANUAL

Disc rewind (hand over hand) Gear-drive crank

Direct crank (permanent or removable) Chain-drive crank

POWER

Spring Electric (voltage: _____)

Air Hydraulic

Check type of installation:

Floor Wall Overhead Vehicle

Temperature Range: _____

Environment: _____

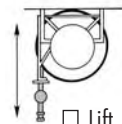
Accessories (if any): _____

Finish (if other than standard): _____

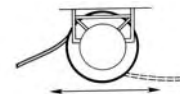
Roller Assemblies: _____

Hose/Cable Stop: Yes No Specify Hose/Cable O.D. _____

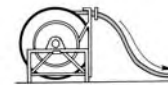
Check type of installation and roller position (for spring reels only):



Lift



Stretch (no roller)



Drag



Recovery/Pick-up
No roller

Roller

Position VR
 Position TR

Position SR
 Constant tension

4. Please note size and/or weight limitations for your installation

Length _____ Width _____

Height _____ Weight _____

For custom applications not found in our catalogs, call the Inside Sales Group at (518) 797-3791.



It's easier to handle hose—from booster to large diameter hose—when Hannay Reels are lending a hand.



"Narrow roads in an old fishing village such as ours require long lengths of large diameter hose for proper water volume. Hannay Series LD fit the bill perfectly, fast payout and pickup answered our needs."

*Jim Burrows, Fire Coordinator
Kennebunkport (ME) Fire Department*



1st Lt. George Conklin of Unexcelled Fire Company states, "Hannay makes the hardest job easier. When the men are exhausted and fatigued from fighting a fire, they can pack up the hose in one-third the time."

FIREFIGHTING AND RESCUE OPERATIONS ALL AROUND THE COUNTRY DEPEND ON HANNAY REELS.

For years, Hannay has produced the best firefighting and rescue hose and cable reels found anywhere in the world. Firefighters and rescue squads have come to depend on Hannay Reels for their dependability, ease of use, and long life. But don't take our word for it. Here's what some of our customers have to say about Hannay Reels.

"Hannay Reels gives us easy hose dispersal and quick pick-up."

*– Malcolm Farrell,
Wilson Fire Department, Windsor, CT.*

"The speed of our first attack is crucial, and Hannay Reels give us "instant on" with even partial payout. So we're right where the emergency is."

*– Peter Goldstein, Coram,
Long Island (NY) Fire Department*

"In rescue operations, you have to be fast to be effective. Hannay Reels save us time in payout and clean-up."

*– John Dugan,
Wellsboro (PA) Fire Department*

"When we're using our Hannay Reels, they're getting pushed to the limit every time and they have never failed us."

*– Chad Jazwinski, Chief,
Galway (NY) Volunteer Fire Department*

For more information on all our hose and cable reels for firefighting and rescue operations, please request our Rescue Reels Catalog.



Hannay Reels Help Protect, Maximize Success

Hose and cable reels are major tools that make firefighting operations safer and more efficient. Firefighters cannot waste any time fighting with hose or power cables because payout time is of the highest priority. According to fire experts, a properly positioned first attack hose line saves the most lives at a fire, confines it, and reduces property damage.



The significant length and weight of fire hose additionally makes reels a necessity, as maneuvering the hose would otherwise be unmanageable. Accommodating fire hose reels on the trucks is a challenge since space must be maximized while also ensuring all necessary rescue equipment fits on board. Hannay reels are custom built to your specific size requirements to facilitate ease of installation and service in any location on your apparatus. Through research and development of internationally recognized standard models, to custom one-of-a-kind applications, Hannay is known for consistent service in supplying both apparatus manufacturers and aftermarket fire departments worldwide.



Rescue Reels catalog also available.



Family owned and operated since 1933, Hannay Reels is the world leader in both OEM and aftermarket applications. Hannay offers thousands of standard hose reel and cable reel models, as well as unmatched custom capabilities. We can easily and affordably customize a reel to meet your exact specifications – built to last, delivered fast. Additional catalogs are available through your local Hannay Reels dealer or online at www.hannay.com.



553 State Route 143 • Westerlo, New York 12193
Toll Free Phone: 1-877-GO-REELS • Toll Free Fax: 1-800-REELING

E-mail: reels@hannay.com

Intl. Phone: 1-518-797-3791 • Intl. Fax: 1-518-797-3259

www.hannay.com



MADE IN U.S.A.